

Voltage Regulator

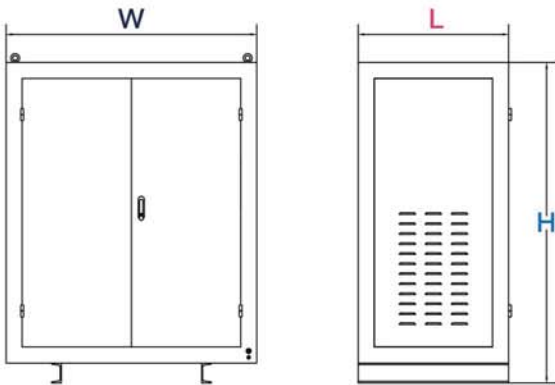
POWER
HIGH VOLTAGE TEST

Voltage Regulator

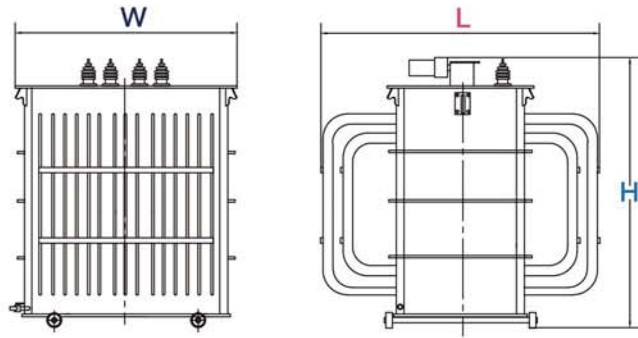
1. Column type regulator

Column type is an autotransformer that voltage can be continuously regulating. It has a good output voltage sine waveform; the lower limit of the output voltage can be zero; regulator characteristic are smooth, continuous, linear; impedance voltage can be controlled in a small range; small noise operation, and the same phase between output voltage and input voltage, etc., is an ideal high-voltage test regulator.

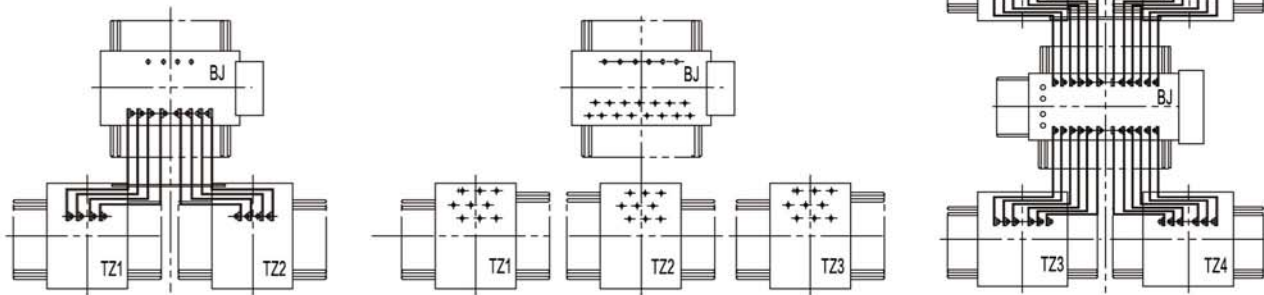
Model	Rated capacity	Phase	Frequency	Rated input voltage	Output voltage range	Rated input current	Rated output current	Equipment composed		Overall dimension			Weight	Oil weight	Total weight
	KVA			V	V	A	A	Name	Quantity	L	W	H	kg	kg	kg
TYDZ-25	25	1	50/60	380	0 - 420	66	59.5	1		600	920	1380	170	195	640
TYDZ-50	50				0 - 420	132	119			600	920	1450	190	210	680
TYDZ-75	75				0 - 420	198	178.5			600	920	1650	210	240	750
TYDZ-75	75				0 - 650	198	115.4			850	970	1450	300	310	890
TYDZ-150	150				0 - 420	395	357			820	970	1650	330	360	950
TYDZ-150	150				0 - 650	395	230.7			850	970	1700	390	380	1000
TYDZ-200	200				0 - 420	527	476			820	970	1650	350	380	980
TYDZ-200	200				0 - 650	527	307.7			850	1150	1550	490	500	1320
TYDZ-200	200				0 - 3300	527	60.6			1150	1180	1550	800	700	1210
TYDZ-250	250				0 - 650	658	384.6			880	1180	1450	590	620	1650
TYDZ-250	250				0 - 3300	658	75.8			1200	1180	1500	880	750	1650
TYDZ-300	300				0 - 650	790	461.5			1200	1460	1650	980	620	1950
TYDZ-300	300				0 - 3300	790	90.9			1350	1100	1650	1150	750	2350
TYDZ-300	300				0 - 3300	30	90.9			1350	1350	1700	1450	1150	3150
TYDZ-400	400				0 - 3300	1053	121.2			1400	1460	1820	1600	1380	3760
TYDZ-400	400				10000	0 - 3300	40			121.2	1500	1460	1820	1850	4200
TYDZ-500	500			380	0 - 3300	1429	151.5	1400	1460	1850	1780	3980			
TYDZ-500	500			10000	0 - 3300	50	151.5	1580	1460	1850	2030	4600			
TYDZ-500	500			380	0 - 10500	50	47.6	1580	1460	1850	2070	4700			
TYDZ-630	630			10000	0 - 3300	63	190.9	1600	1460	1900	2275	1695	4780		
TYDZ-630	630				0 - 10500	63	60	1650	1460	1900	2360	1695	4920		
TYDZ-750	750				0 - 3300	75	227.3	1880	1520	1930	2950	1850	5750		
TYDZ-750	750				0 - 10500	75	71.4	1880	1520	1930	2900	1850	5720		
TYDZ-1000	1000				0 - 6300	100	158.7	BJ	1	1620	1020	2250	2550	1170	9200
								TZ	2	1200	1020	1675	685*2	735*2	
TYDZ-1000	1000				0 - 10500	100	95.2	BJ	1	1620	1050	2250	2500	1100	9250
								TZ	2	1200	1020	1675	685*2	735*2	
TYDZ-1500	1500				0 - 6300	150	238	BJ	1	1460	1300	2455	2950	1350	12100
								TZ	2	1420	1170	1850	895*2	1110*2	
TYDZ-1500	1500				0 - 10500	150	142.9	BJ	1	1460	1170	2500	2980	1380	12200
								TZ	2	1420	1170	1850	895*2	1110*2	
TYDZ-2000	2000				0 - 6300	200	317.5	BJ	1	1860	1550	2600	3350	1400	13500
						TZ	2	1980	1180	1850	1280*2	1520*2			
TYDZ-2000	2000	0 - 10500	200		190.5	BJ	1	1860	1600	2650	3400	1450	13600		
						TZ	2	1980	1180	1850	1280*2	1520*2			
TYDZ-2500	2500	0 - 6300	250	396.8	BJ	1	1920	1600	2750	4620	1750	19550			
					TZ	2	2060	1600	1850	2290*2	2400*2				
TYDZ-2500	2500	0 - 10500	250	238.1	BJ	1	1920	1600	2780	4650	1780	19600			
					TZ	2	2060	1600	1850	2290*2	2400*2				
TYDZ-3000	3000	0 - 10500	300	285.7	BJ	1	2020	1750	2760	5620	2050	22500			
					TZ	3	1980	1180	1850	1280*3	1750*3				
TYDZ-4500	4500	0 - 10500	450	428.6	BJ	1	2930	1860	3160	8165	4450	38950			
					TZ	4	2060	1500	1850	2290*4	2440*4				



Dry column type regulator



Oil immersed column type regulator



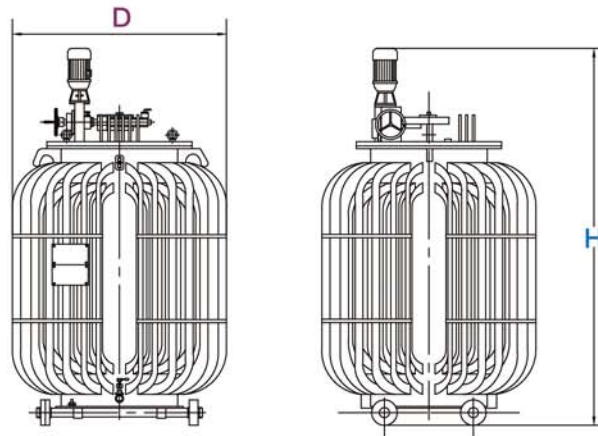
High power column type regulator group layout

2. Induction Voltage Regulator

Structure and electromagnetic principle of induction voltage regulator is similar with winding type asynchronous motor; energy conversion relation is similar with transformer. It changed by adjusting the angular displacement of the rotor, change the stator or the rotor windings of the inductive potential phase (three-phase), amplitude (single phase), in order to achieve the purpose of non-contact voltage regulating.

Voltage Regulator

Model	Rated capacity	Phase	Frequency	Rated input voltage	Output voltage range	Rated output current	Overall dimension	Weight
	KVA		Hz	V	V	A	(D×H) (mm)	kg
TDJA-10	10	1	50/60	220/380	0-250/0-420/0-650	26.3	Φ880×1300	380
TDJA-16	16			220/380	0-250/0-420/0-650	40	Φ880×1300	380
TDJA-20	20			220/380	0-250/0-420/0-650	50	Φ880×1300	420
TDJA-25	25			220/380	0-250/0-420/0-650	100	Φ880×1300	450
TDJA-30	30			220/380	0-250/0-420/0-650	75	Φ880×1300	450
TDJA-40	40			220/380	0-250/0-420/0-650	100	Φ980×1470	650
TDJA-50	50			220/380	0-250/0-420/0-650	200	Φ1130×1470	750
TDJA-56	56			220/380	0-250/0-420/0-650	133	Φ1130×1470	750
TDJA-63	63			220/380	0-250/0-420/0-650	158	Φ1130×1470	750
TDJA-80	80			220/380	0-250/0-420/0-650	200	Φ1050×1660	1100
TDJA-100	100			220/380	0-250/0-420/0-650	250	Φ1050×1660	1150
TDJA-150	150			220/380	0-250/0-420/0-650	375	Φ1270×1710	1600
TDJA-200	200			220/380	0-250/0-420/0-650	500	Φ1420×1710	1700
TDJA-250	250			380	0-650	385	Φ1380×2280	2800
TDJA-315	315			380	0-650	485	Φ1380×2280	2900
TDJA-1000	1000			380	0-650	1538	Φ2560×2980	10600



Note: regulator can be driven by DC motor, single-phase asynchronous motor or three-phase asynchronous motor; Instructions take which motor when place order.

For further information please contact:

Yangzhou Xinyuan Electric Co., Ltd
Wujian industrial park
Yangzhou city, China
225253

Tel / +86 21 61812129
Fax / +86 21 61812129×608
E-mail / sales@powerhv.com
Web / www.powerhv.com